



PARTITIONING SYSTEMS EXCEL, EXCEL ECO, EXCEL LUX, EXCEL MDF, EXCEL WOOD AND EXXE

EXCEL



EXCEL LUX



EXCEL LUX

OFFICE PARTITIONING EXCEL

Excel provides an economical solution consisting of aluminium or MDF framing, Europanels and glass partitioning system, which offers glazed, plasterboard and composite modules and doors dependant on the needs of the Client.

Partitioning is easy to install and relocate, providing an opportunity to divide the office space in order to create new workstations and zones. Partitioning is used in offices, shops, hospitals, schools, etc. Partitioning system consists of aluminium framing (55 mm) or MDF framing (92 mm), 46 mm Europanel and glazed modules of 6 – 10 mm glass and PVC slats. Maximum height of partitioning in case of using special profiles is ± 6000 mm. Standard height up to 3650 mm.

Design and glass of partitioning are based on the needs of the Client.

TECHNICAL SPECIFICATIONS

EXCEL partitioning system complies with technical specifications EE 10047391 TS1-99. The material used in module panels is approved by Health Protection Inspectorate. It is also possible to use other materials and fixtures in case the technical parameters are equal to or better than those given in technical specifications.

ALUMINIUM AND MDF PROFILES

Partitioning aluminium profiles are either in anodised finish or in polyester powder coated colour (RAL). Colour quality complies with the requirements of GSB International, reg. no. 090.

MDF profiles are in natural tones (natural wood tone) lacquered or painted on the basis of Moni Color Nova or Tintorama colour chart. MDF or wooden profiles can also be covered with natural veneer.

GLAZING

Glass thickness of Excel partitioning system is 6 – 10 mm and in case of EXCEL LUX only 10 mm (not framing). One can choose between different types of glazing: bronze, grey smoke, flint, obscured, patterned, laminated or hardened glass.

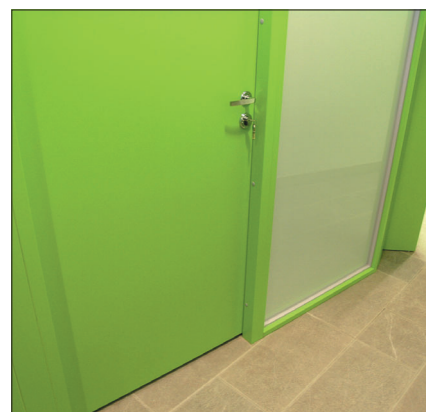
If so wished by the Client double glass partitioning is also available (better soundproofness).

PVC PROFILES – glazing gaskets

Special PVC profiles are used for glazing. Standard colours include brown, black, grey and white. EXCEL LUX partitioning uses transparent PVC profiles and gaskets.

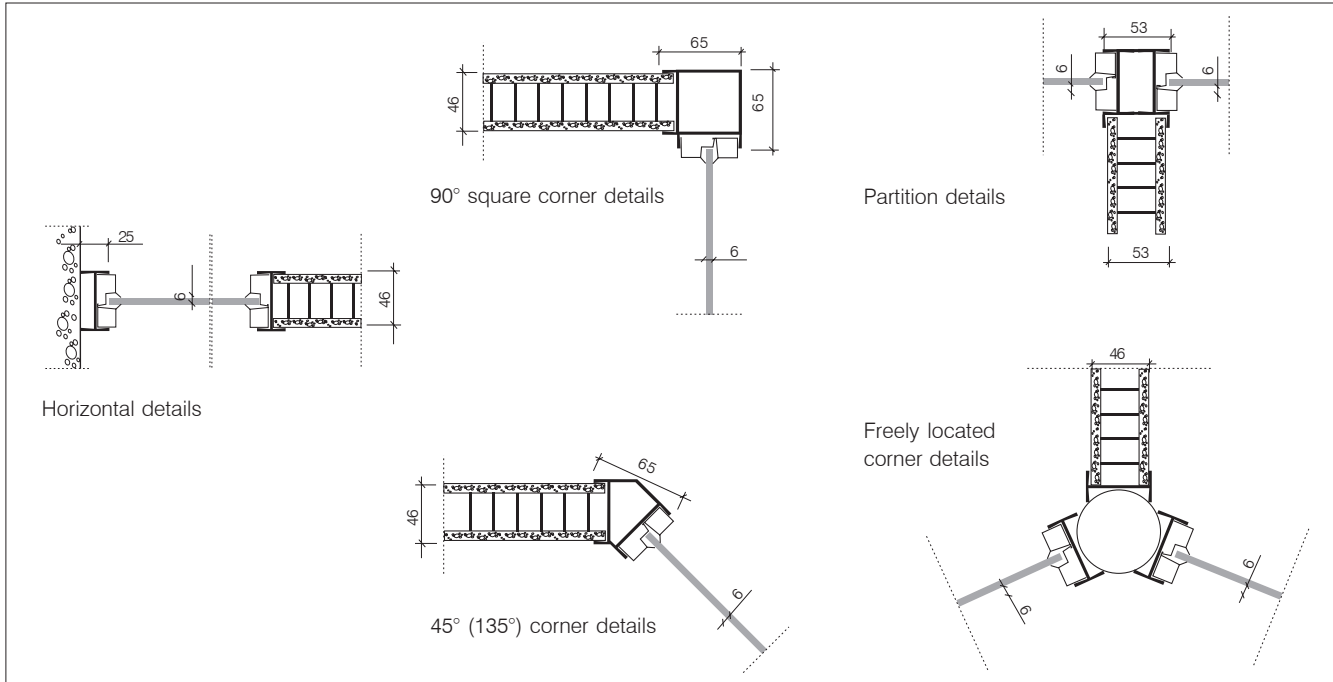


EXCEL ECO

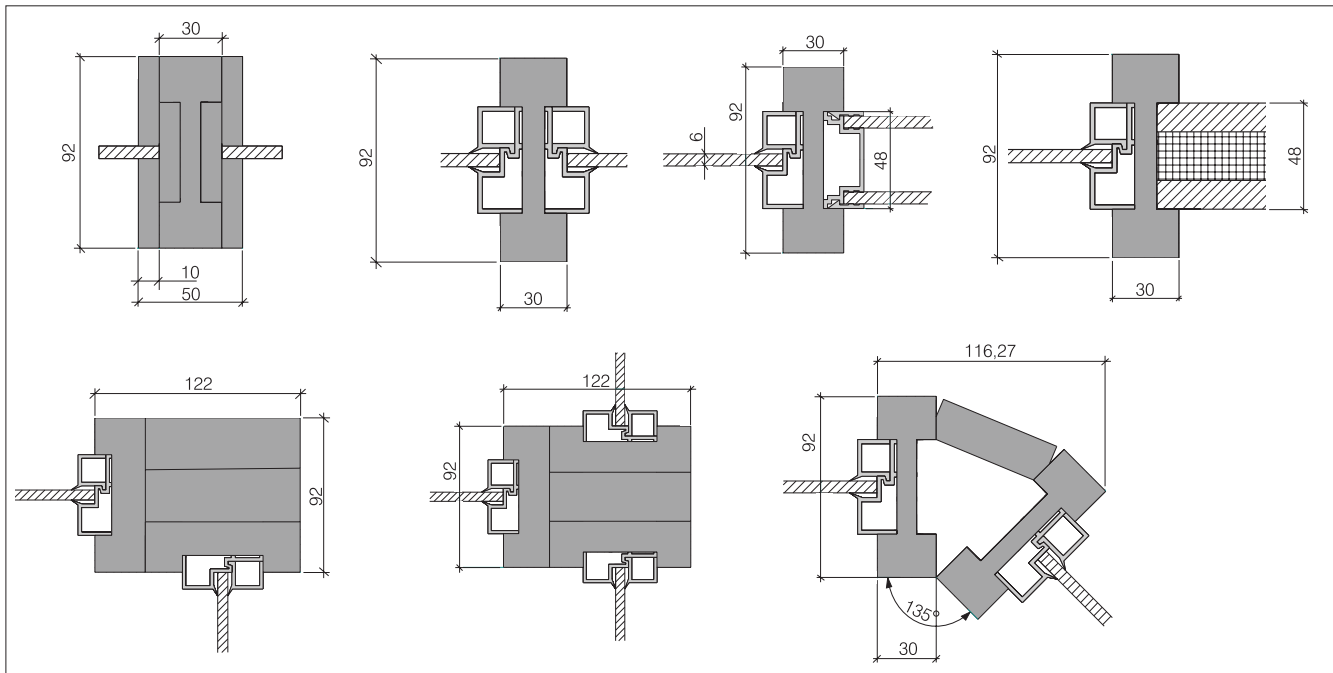


EXCEL MDF, painted

DETAILS AND DIMENSIONS (MM) OF PARTITION WALL EXCEL FROM ALUMINIUM PROFILES



DETAILS AND DIMENSIONS (MM) OF PARTITION WALL EXCEL FROM MDF PROFILES



DOORS

Both full glazed, veneered and white or special coloured timber doors and casings are available. In case of special order we also offer aluminium door casings. Aluminium door casings have black PVC seal.

The partitioning may also be constructed of aluminium, glazed or timber slide door and folding door. Usual door dimensions are 9 x 21, but in case of special order other dimensions are also available.

LOCKS AND HANDLES

In glazed panel all locks and handles suitable for aluminium ca-

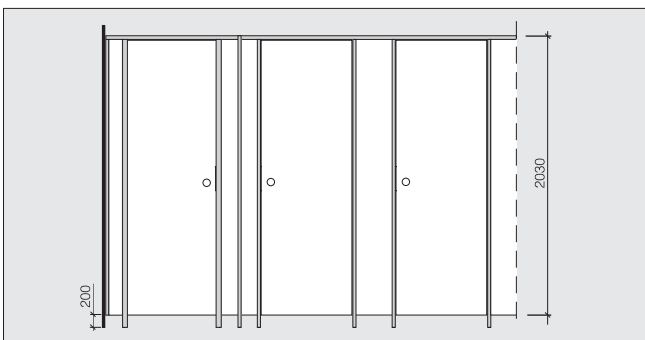
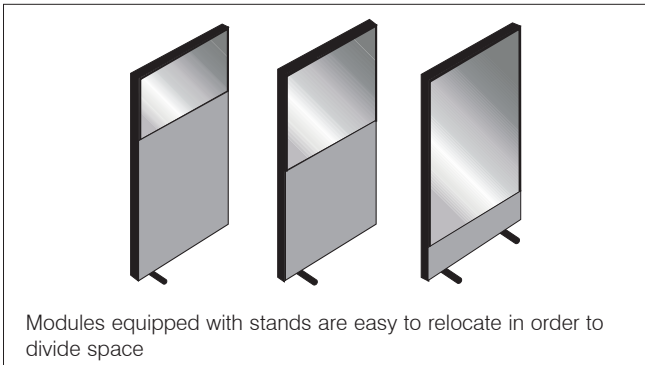
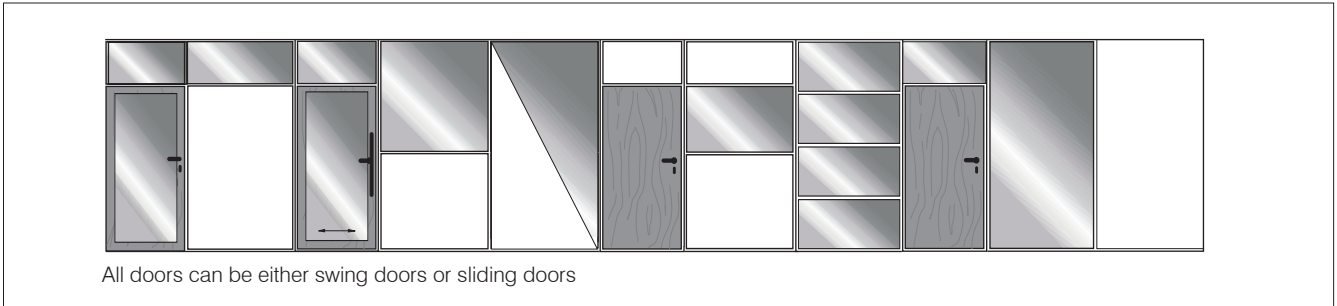
sings and glass may be used. In case of veneered and smooth standard doors Abloy, BODA and ASSA locks and Primo handles and knobs are used.

SOUND TRANSMISSION RESISTANCE

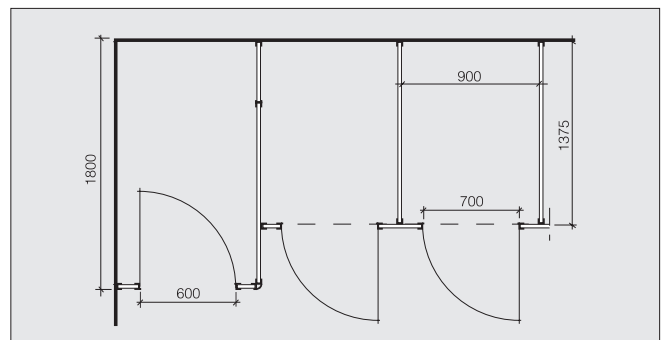
Sound transmission resistance of modules:

- 46 mm Europanel and 6 mm glass ~30 dB
- 92 mm Europanel (ECO) ~43 dB
- laminated glass 4 + 0,8 + 4 ~37 dB
- laminated glass packet 3 + 0,8 + 4 + air 25 mm + 6 mm glass ~42 dB

SAMPLES OF PARTITION MODULES AND TOILET-CABINS



Toilet-cabins and their recommended dimensions



INSTALLATION

Glass wall can be fixed to the concrete, plasterboard, timber or suspended ceilings and floor.

Basic profile or finishing profile is used in fastenings. Glass wall can also be placed on feet.

Where partitioning is fastened to floor, the electric cables can be installed under basic detail placed under Europanel or glass.

For glass fastening special PVC profiles are used. Single and double (special order) glazing is available.

Venetian, lamella or roller blinds can be fastened to Excel partitioning or the panels can be covered with decorative and safety films.

Special aluminium profiles are installed at different 45° (135°), 90° and T-corner junctions. Different corners are joined by round profile, and thus junction is achieving at any angle.

TOILET AND SHOWER PARTITIONING SYSTEM EXXE

EXXE partitioning system includes toilet-cabins and shower partitioning according to the needs of Client; partitioning dimensions comply with drawings.

MATERIAL

Durable micro laminated chipboard enclosed by aluminium frame is used in WC walls. There are 48 main colour tones of WC compartments. Special feet of the compartments are manufactured from acid proof stainless steel.

6 mm and 16 mm clear or opal (milky white) plastic Makrolon Longlife or 60 mm hardened glass is used in shower partition walls. 8 or 10 mm glass is used in shower walls EXXE LUX.



EXCEL LUX, whole glass partition wall



EXCEL, anodised aluminium profiles



EXCEL, anodised aluminium profiles



EXCEL, anodised aluminium profiles



EXCEL LUX, whole glass partition wall



EXCEL MDF profiles, natural wood tone



EXCEL, movable wall



EXCEL, painted aluminium profiles

MENDALI OÜ

ESTONIA

Kotzebue 18d, 10411 TALLINN
Tel. 641 5444, 50 34533
Faks 631 4168
www.mendali.ee
e-mail: mendali@mendali.ee

Latvia, Lithuania, Ukraine – SIA MENDALI

Kalnciema str 40d
RIGA, LV-1046, Latvia
Tel +371 78 05 412, +371 93 37 337, +371 78 05 413, +371 91 06 008
Faks +371 78 05 414
e-mail: mendali@mendali.lv

